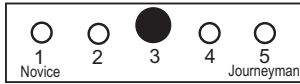


SERVICE TIPS

Updated: 03/2012

DIFFICULTY LEVEL - 3



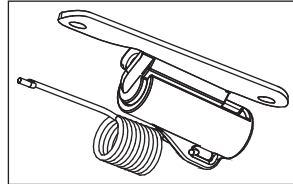
5 to 10 Min

Before working - always follow all instructions and warnings described in the Operator's Manuals for this mower.

The SmoothStart Device:

This feature can be added to any of the Bravo 21 and Bravo 25 mowers. The small slider and spring device feature makes the mower start smoothly on sidewalks and lawns. It minimizes the tracks on wet lawns and reduces the wear to the rear tires as well as the transmission.

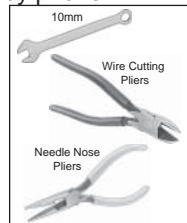
Part #: 201235-1 Complete



NOTICE:

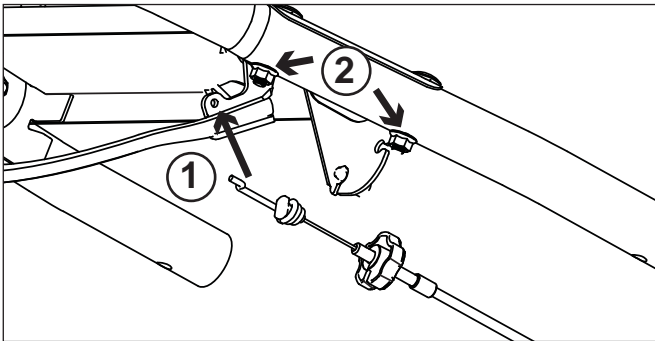
If you are unsure of how to properly assemble this device please contact: service@ybravo.com by e-mail or by phone: **1.888.ybravo.1** (1.888.927.2861)

Tools needed for assembly:
10mm wrench
Wire cutter
Needle nose pliers



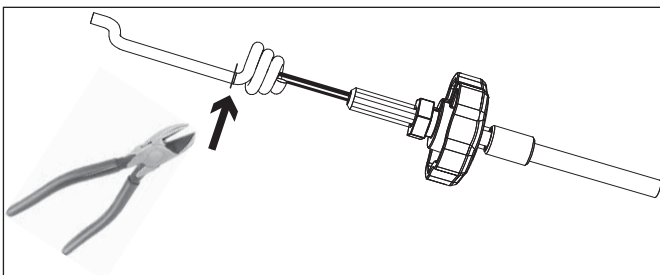
STEP 1

Remove the Transmission Cable from the control bar (1). Remove the two 10mm nuts that holds the control panel in place (2)



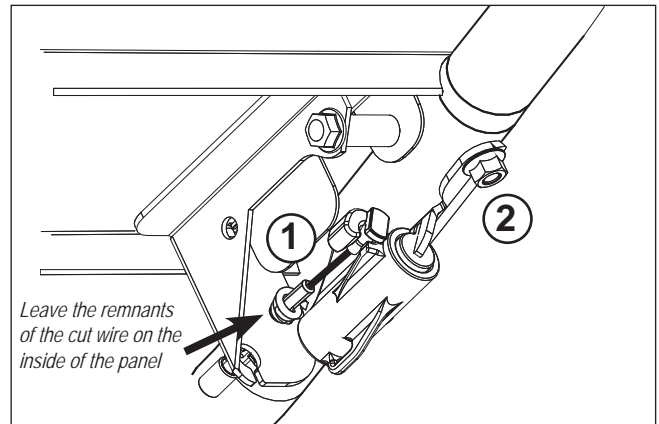
STEP 2

With a pair of sharp wire cutting pliers cut the solid steel wire as illustrated.



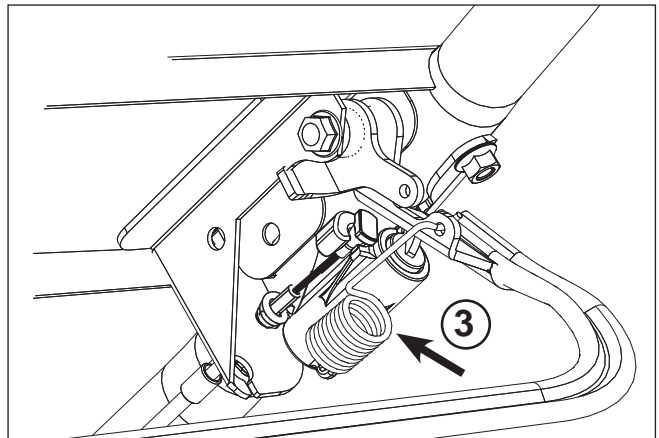
STEP 3

Install the cable (1) and **SmoothStart** device as illustrated and tighten the two nuts (2) for the control panel.



STEP 4

Install the spring for the plastic slider to the control bar (3).



STEP 5

With the engine running, adjust the knob for the transmission cable (1) so the transmission starts to drive when the lower control bar is approximately 1.5 inch from the handle (2).

