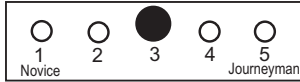


SERVICE TIPS

Updated: 08/2009

DIFFICULTY LEVEL - 3



15 to 25 Min

Before working - always follow all instructions and warnings described in the Operator's Manuals for this mower.

UNPACKING:

Carefully remove the machine from its packaging and check that you have the following items:

Upper Handle complete

(2) Lower Handle tubes

Mower Bag and Mulch Plug (installed on the mower)

Tool kit

Honda engine Owner's Manual

Bravo 21 Operator's Manual.

NOTICE:

If you are missing any of these items or if you are unsure of how to properly assemble this mower please contact:

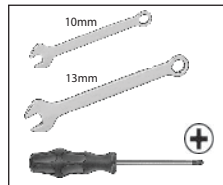
service@ybravo.com by e-mail or by phone: **1.888.ybravo.1** (1.888.927.2861)

Tools needed for assembly:

10mm wrench

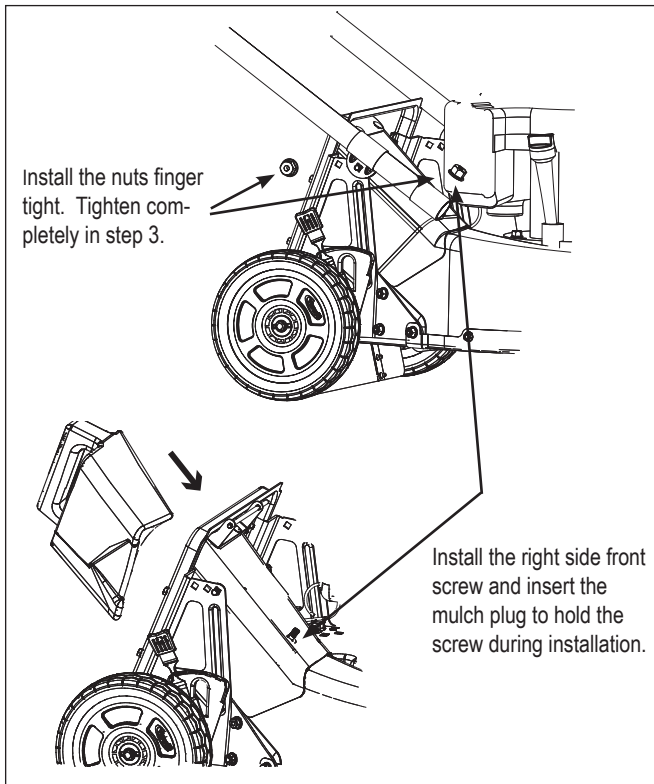
13mm wrench

Philips screwdriver



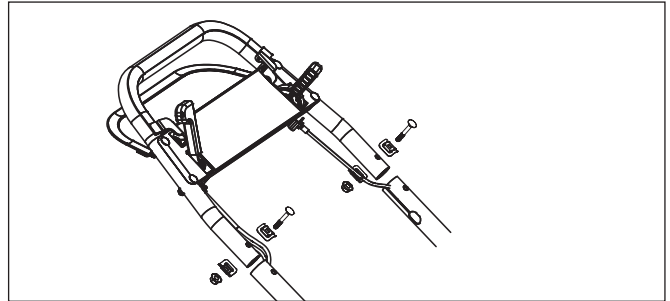
STEP 1

Install the red handle tubes to the mower with the M8 carriage screws. Do not tighten the nuts. There are three holes for the upper clamp to enable height adjustment. A good starting point is the middle hole for a medium height setting.



STEP 2

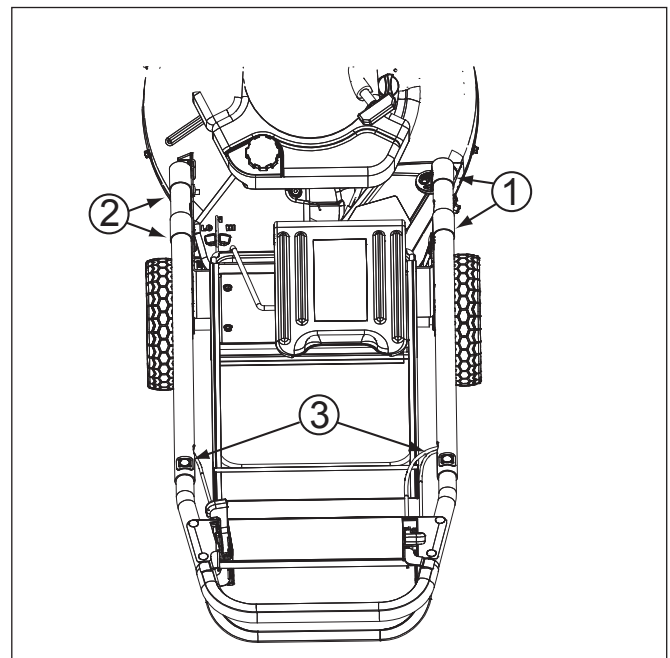
Slide the upper handle assembly into the two lower tubes. Insert the two carriage screws and use one square washer on each side of the handle tube.



STEP 3

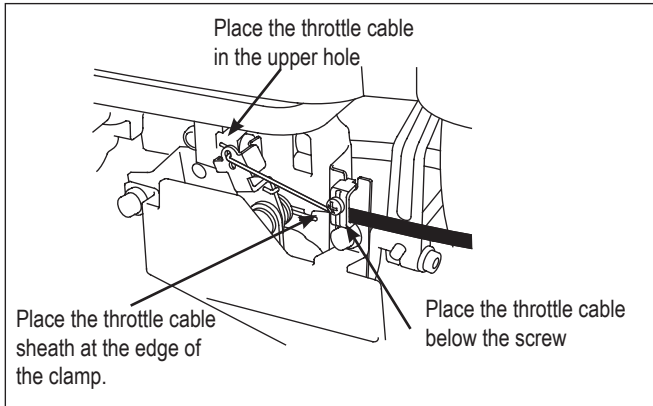
To simplify the alignment of the handle, install the grass catcher. Tighten the screws in the following order:

- 1 - Tighten the two screws on the right side tube clamps
- 2 - Align the left tube with the catcher (same as the right side) and tighten the lower clamps.
- 3 - Tighten the upper screws that attaches the handle assembly to the tubes.



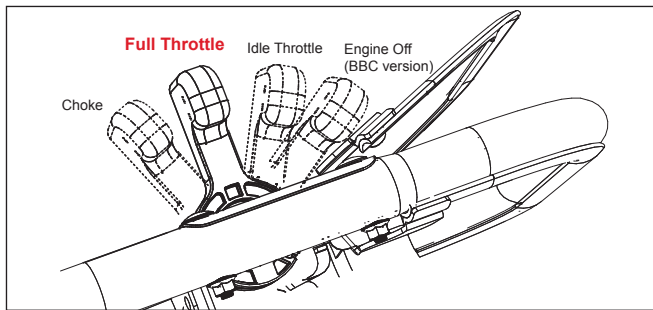
STEP 4

Insert the throttle cable inside the left handle tube. The cable will come out at the bottom of the tube. Install the throttle cable to the engine per the illustration. Install the edge of the cable sheath in line with the edge of the clamp as illustrated.

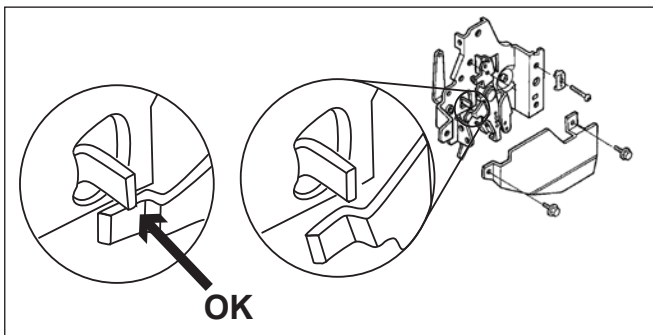


STEP 5

Verify that the throttle control is adjusted properly as follows:
 - Move the throttle control to the Full Throttle position.



- In the full throttle position the two arms at the throttle mechanism on the engine should touch as illustrated below.



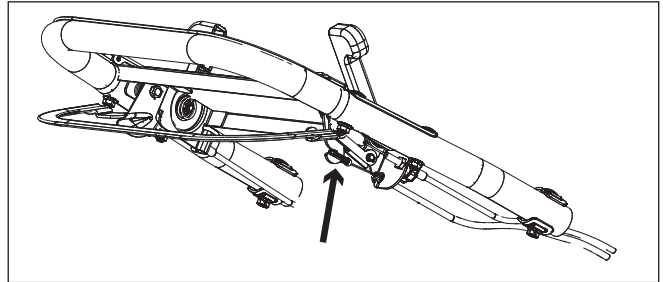
Following these steps for the throttle adjustment will ensure that the Honda engine performs properly.

The engine speed is adjusted to 3100 RPM at the factory.

STEP 6

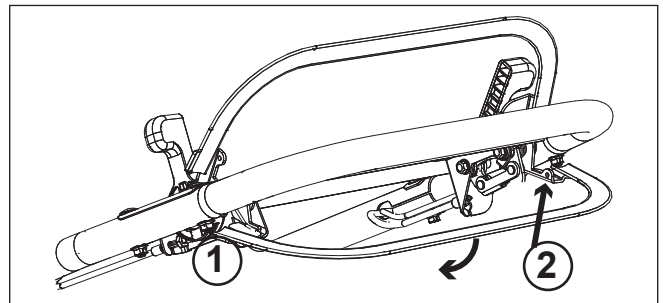
Install the BBC (Blade Brake Clutch) cable to the hook on the BBC mechanism on the control panel. Pull in the cable sheath and insert it into the hole in the control panel.

It is important to understand the function of the BBC system before operating the mower. Follow the instructions in the Operator's Manual.



STEP 7

To assist with the installation of the drive cable to the lower control bar push the control bar past the spring lock (1) that normally retains the control bar in a comfortable operating position.



Insert the end of the spring into the hole (2) in the control bar.
 - Pull back on the cable adjustment knob and insert into the slot of the control panel.
 - Pull up on the control bar to check the function.
 - Make the adjustment to the knob on the drive cable during operation